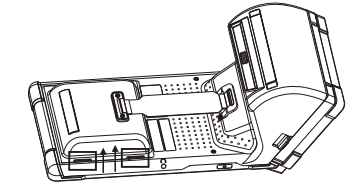


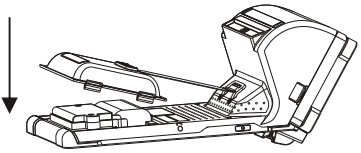
6 Battery cover

The snap-in fit battery cover is in underside of E600, the cover is intended only for occasional use by operators, such as for the installation of SIM and SD card. Correct removal and reinstallation is permitted under the following instructions:

To remove battery cover:
Hold the sides of E600, and push further the button in direction shown below to open battery cover.

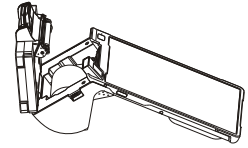


To reinstall battery cover:
Properly align battery cover and press it to secure.



7 Printer Paper

To install the paper:
1. Press printer cover button (see page 2 for location) and open cover.
2. Insert paper roll with end facing up and extending out of E600.
3. Gently snap printer cover closed.



To tear the paper, press the paper downward along the cutter and pull it to the left or right along the cutting edge.

8 Card Readers

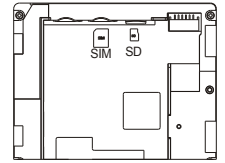
Magnetic stripe card: Place the magnetic stripe face down. Keep the magnetic stripe card perpendicular to the main display. Swipe card through the magnetic card slot at a constant speed.
IC card: Place the IC chip face up. Insert the IC card into the card slot and push it to the end.
Contactless card: Put the contactless card on the center of the payment module screen.

9 SIM Cards

To insert SIM card, open battery cover, remove battery, and insert SIM card into slot in direction shown on label.
To remove SIM card, first push it further into slot. (The card will then stick out of the slot a little.) Next, push card again to remove.

10 SD Card

To insert SD card, open battery cover, remove battery, and insert card into slot in direction shown on label.
To remove SD card, open battery cover, remove battery, and remove the SD card from slot.



11 Specifications

Operating System: Android 7.1
CPU: Cortex A53 Quad-core, 1.4GHz
Memory: 1GB RAM + 8GB Flash Memory
Display: 8-inch, resolution: 800x1280, multi-touch capacitive touch screen

Printer: 2-inch thermal printer with auto-cutter, supports 58x50mm paper roll
Built-in speaker, supports headphone output

Audio: Front camera: 5-megapixel, fixed-focus, high-speed code scanning
Rear camera: 30W-pixel, fixed-focus, high-speed code scanning

L-Sensor (Ambient Light Sensor): Automatically adjusts backlight brightness of main display

Wireless Communication: Wi-Fi, Bluetooth® wireless technology, 3G/4G

Positioning: Supports GPS, BeiDou, Compass, GIONASS
Card Slots: SIM card slot, Micro SD card slot (supports up to 28GB), Magnetic stripe card/IC card slot, using

two-in-one(supports MAG&ICC)
Magnetic Card Reader: Supports Track 1/2/3
IC Card Reader: Conforms to ISO7816 standard, EMV2000 L1 & L2,PBOC3.0

Contactless Card Reader: Compatible with ISO14443 Type A&B
Rechargeable Lithium-ion Battery: 7.2V/2600mAh
Power Supply: 100-240VAC, 50Hz/60Hz (input)
9V/2.5A (output)

Working Environment: Temperature: 0°C 50°C(32°F 122°F)
R.H.: 10% ~ 93% (non-condensing)

Storage Environment: Temperature:-20°C 70°C(-4°F 158°F)
R.H.: 5% ~ 95% (non-condensing)

12 Device Location

Locate the device on a counter top, desktop or table top. Keep the device away from direct sunlight, excessive dust, moisture, and heat. Avoid locating the device near electrical devices that might introduce interference such as microwave ovens and blow dryers.

13 Cleaning the Device

WARNING:
Do not use industrial strength or abrasive cleaner as it may damage or scratch the screen.

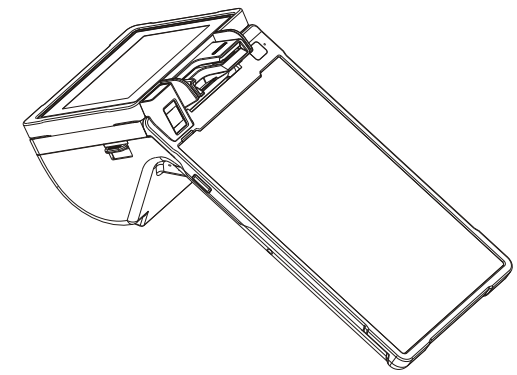
- Do not immerse tablet in water (or liquid).
- Do not spray water or cleaner into card reader or ports.
- To clean screen, apply distilled water or mild glass cleaner onto a soft, lint-free cloth and gently wipe screen.
- To clean device, apply distilled water or plastic-safe cleaner onto a soft, lint-free cloth and wipe gently.

14 Installation and Usage Tips

- Avoid exposing the device to an excessively hot, humid, dusty, or strong electromagnetic environment.
- Do not vibrate, shake, or drop the device.
- Do not plug or unplug any part of the device while it is powered on. This may cause damage to an internal circuit.
- There is a risk of explosion if the battery is replaced with an incorrect type.
- Please contact PAX technical support for assistance with the device.

Caution: Changes or modifications not expressly approved by the party responsible for compliance could void the user's authority to operate the equipment. In a domestic environment, this product may cause radio interference in which case the user may be required to take adequate measures.

E600 Integrated Smart Terminal



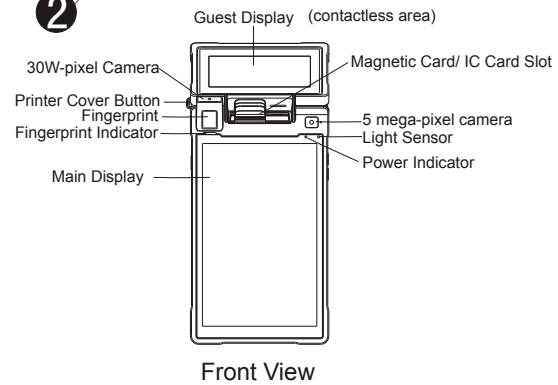
Note: Product images shown may be different than actual product received.

1 Contents Checklist

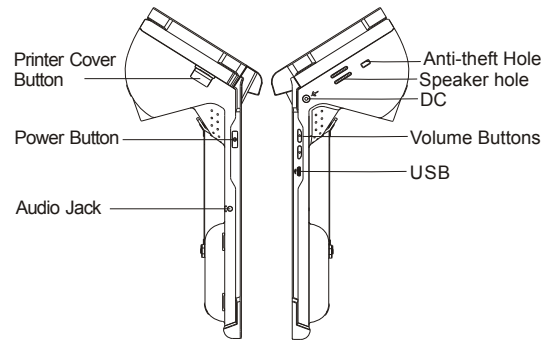
Please check the components after unpacking. If any are missing, please contact the dealer.

Part	Qty
E600	1
AC Power Adapter	1
AC Power Cord	1
Product Manual	1
Quick Setup Guide	1
Charging Base (optional)	

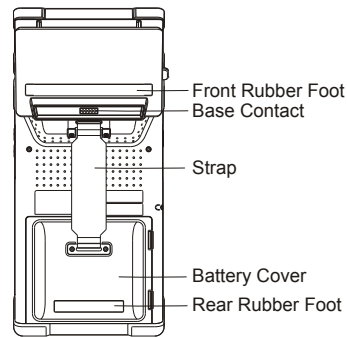
2 Product Description



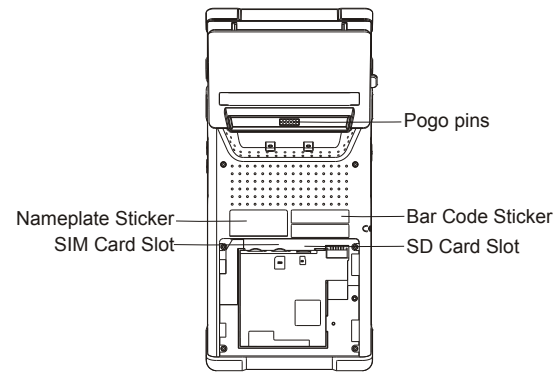
1



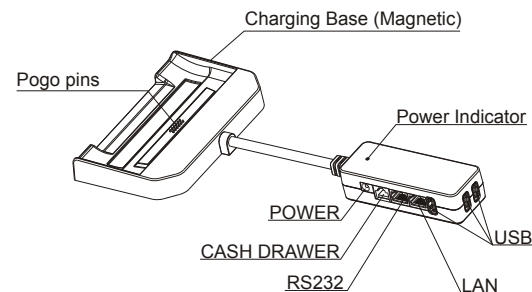
Left Side View Right Side View



2



SIM and SD Card Slots



3

3 Power

The E600 can be powered two ways:

- By plugging the power adapter and cord into DC port on the E600 (see page 2 for location), or
- If the base station is included, by plugging the power adapter with cord into charging station port (see page 3 for location) and seating the E600 on its charging base.

Power on: Press and hold the Power button for three seconds until the main screen displays normally.

- Red indicator – Device is charging.
- Green indicator - Charging is complete.
- Red and green indicators flashing alternately – Charging problem.

Power off: Press and hold the Power button for three seconds until the shutdown menu displays, select "Power off", and the E600 turns off after a few seconds.

4 Ports

Ports on terminals

- AC Power – Used to connect the power supply to the E600
- Micro-USB – Used for downloads and communication
- Audio Jack – Allows the hearing impaired to connect an assistive listening device to the terminal.

4

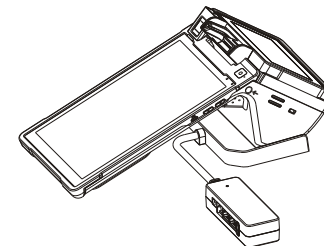
Ports on charging base

- Power – Used to connect power supply to the Communication Box
- Cash Drawer (RJ11, 24V) – Used to connect to the cash drawer
- RS232 (RJ45) – Used to connect to an external POS device or check reader
- LAN – Used for bi-directional Ethernet connections using DSL or Cable
- USB-OTG – Used for local terminals downloads or external peripherals

5 Charging base

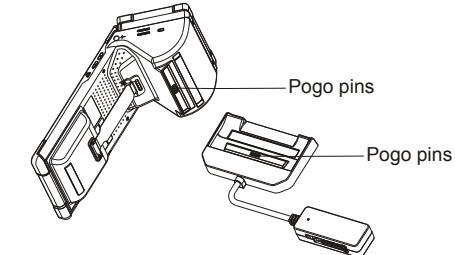
To use charging base:

- 1) Place the E600 onto the Charging Base as shown below:



5

- 2) The Charging Base is magnetized to hold the Pogo pins in contact with the underside of the E600. If properly aligned, the E600 and Charging Base are held in place by magnets.



6

Note: Although the E600 can fit onto the Charging Base in the opposite direction, the Pogo pins will not be in contact and the E600 cannot charge in that position.

To install the Charging Base onto the counter:

- 1) Select a location that will be convenient for both use and charging.
- 2) Clean the countertop, removing all dirt and grease.
- 3) Peel away the clear plastic protector from the underside of the Charging Base to reveal the sticky black pad.
- 4) Press the Charging Base into position to secure.
- 5) To remove the Charging Base (if required), gently grasp the sides of the base and pull up from the counter. Do not pull the cord to the Communication Box to release the base from the counter. This may damage the cable.

This document is provided to you for informational purposes only. All features and specifications are subject to change without notice. PAX's name and PAX's logo are registered trademarks of PAX Technology Inc. All rights reserved. The Bluetooth® word mark and logos are registered trademarks owned by Bluetooth SIG, Inc. and any use of such marks by PAX Technology, Inc. is under license. Other trademarks and trade names are those of their respective owners.



Responsible Party:
PAX Technology, Inc.
8880 Freedom Crossing Trail
Building 400, 3rd Floor, Suite 300
Jacksonville, FL 32256, USA
Help Desk
1-877-859-0099
www.pax.us