

A30 Quick Setup Guide

CONTENTS CHECKLIST

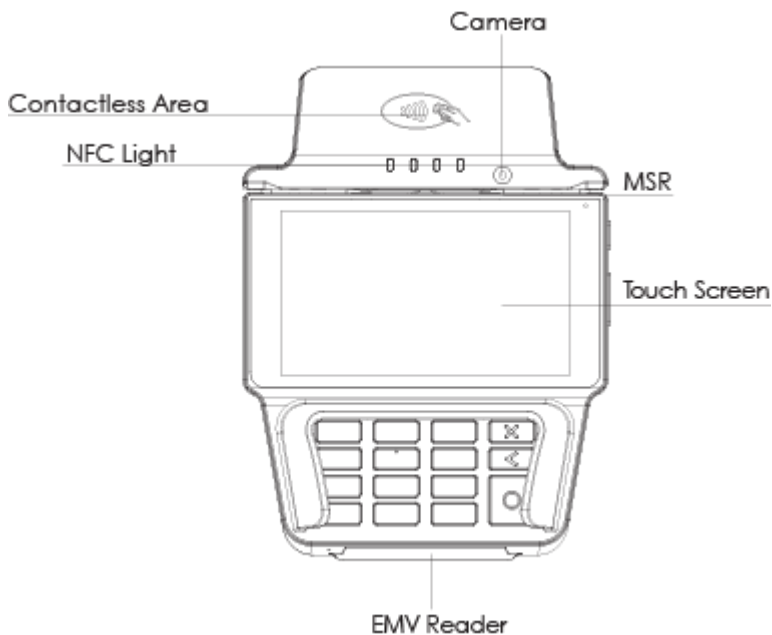
Please check the box contents after unpacking. If any components are missing, or if there is a page missing from the quick setup guide, etc., please contact the dealer.

Name	Qty.
A30 Smart Payment Terminal	1
USB Cable	1
Powered USB Cable (Optional)	1
AC Power Cable (Optional)	1
Adapter (Optional)	1

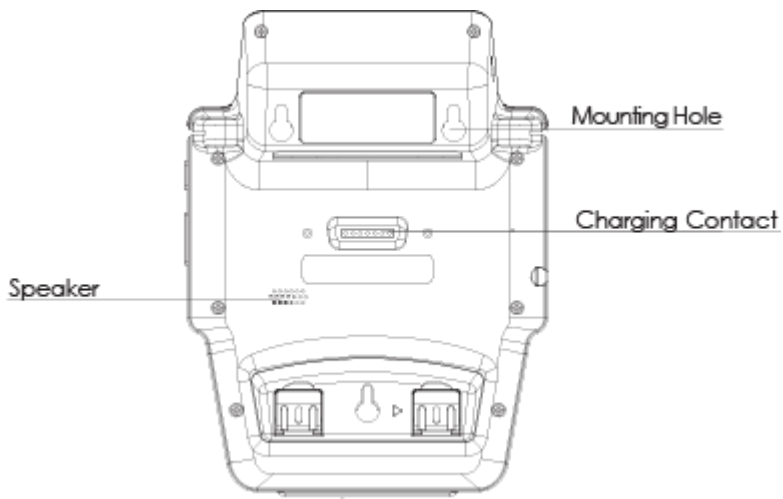
PRODUCT DESCRIPTION

The following section points out the various hardware features and functions of the A30.

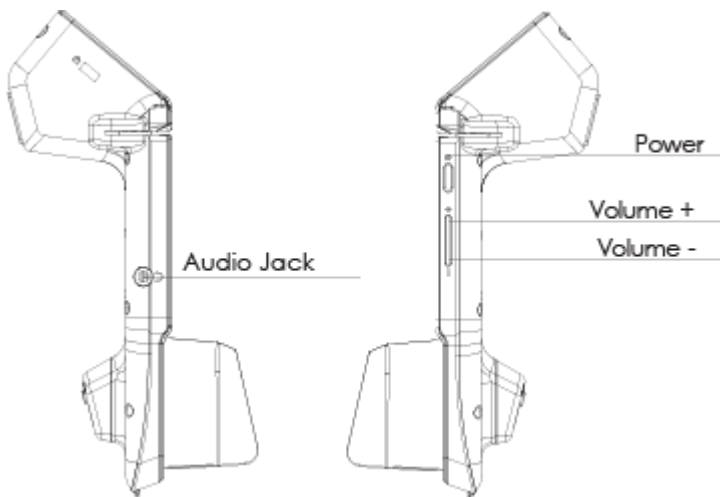
Front View:



Back View:



Side Views:



INSTRUCTIONS

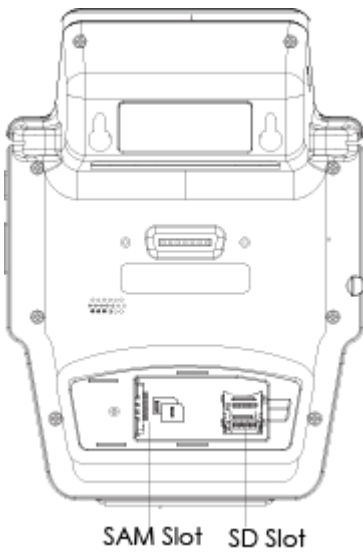
The following sections provide basic operating instructions for the A30.

Power ON/OFF

- **Power ON:** Plug the terminal into an electric outlet; the terminal will power on automatically.
- **Power OFF:** Press and hold the power button down for 3 to 5 seconds and then release.

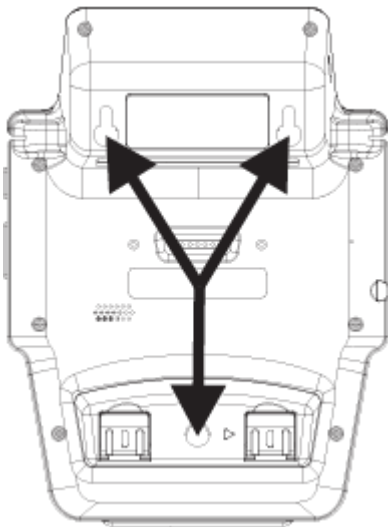
SAM/SD Card Installation

- 1) Unscrew the back cover.
- 2) Push the cover to the right.
- 3) Insert SAM /Micro-SD card into the appropriate card slot and replace cover.



Stand Installation

1. Align and insert metal stand prongs into the stand slots (3) on underside of terminal.
2. Slide terminal firmly into place on stand.



CARD READERS

The A30 includes the following card readers:

Magnetic Stripe Card

Slide the card through the card reader slot from left to right or from right to left with the magnetic strip oriented towards the body of the device. Make sure that the card is fully inserted into the card reader while swiping the card.

IC/Smart Card Reader

Insert the card fully into the reader with the metallic contacts facing up and towards the device. Make sure that the card is fully inserted into the card reader while scanning the card.

Contactless Card Reader

The contactless card reader reads cards and devices placed roughly within an inch (2.5 mm). For best results, place as close to the reader as possible and center the card over the indicated area at the back of the terminal.

CLEANING THE DEVICE

- Do not use industrial strength or abrasive cleaner as it may damage or scratch the screen.
 - Do not immerse the device in water or liquid.
 - Do not spray water or cleaner into EMV Card Reader or ports.
 - To clean the screen, apply distilled water or mild glass cleaner onto a soft, lint-free cloth and gently wipe terminal.
-

TERMINAL INSTALLATION AND USAGE TIPS

- If any cables become damaged, seek a replacement.
 - Before inserting card, please check the inside and periphery of the IC card slot.
 - If there is any suspicious object, please report to the related administrator.
 - Do not insert unknown materials into any port on the A30; this may cause serious damage.
 - If repairs are required, please contact a professional technician instead of attempting them on your own.
 - Avoid exposing the device to an excessively hot, dusty, or strong electromagnetic environment.
 - Do not vibrate, shake, or drop the device.
-

For 5GHz WiFi version

FCC Compliance statement

This device complies with Part 15 of the FCC Rules. Operation is subject to the

following two conditions: (1) this device may not cause harmful interference, and (2) this device must accept any interference received, including interference that may cause undesired operation.

Changes or modifications not expressly approved by the party responsible for compliance could void the user's authority to operate the equipment.

This equipment has been tested and found to comply with the limits for a Class B digital device, pursuant to Part 15 of the FCC Rules. These limits are designed to provide reasonable protection against harmful interference in a residential installation. This equipment generates, uses and can radiate radio frequency energy and, if not installed and used in accordance with the instructions, may cause harmful interference to radio communications. However, there is no guarantee that interference will not occur in a particular installation.

If this equipment does cause harmful interference to radio or television reception, which can be determined by turning the equipment off and on, the user is encouraged to try to correct the interference by one or more of the following measures:

- Reorient or relocate the receiving antenna.
- Increase the separation between the equipment and receiver.
- Connect the equipment into an outlet on a circuit different from that to which the receiver is connected.
- Consult the dealer or an experienced radio/TV technician for help.

FCC SAR statement

This equipment complies with FCC radiation exposure limits set forth for an uncontrolled environment. End user must follow the specific operating instructions for satisfying RF exposure compliance. This transmitter must not be co-located or operating in conjunction with any other antenna or transmitter.

The portable device is designed to meet the requirements for exposure to radio waves established by the Federal Communications Commission (USA). These requirements set a SAR limit of 1.6 W/kg averaged over one gram of tissue. The highest SAR value reported under this standard during product certification for use when properly worn on the body

ISED compliance statement

This device contains licence-exempt transmitter(s)/receiver(s) that comply with Innovation, Science and Economic Development Canada's licence-exempt RSS(s).

Operation is subject to the following two conditions:

- (1) This device may not cause interference.
- (2) This device must accept any interference, including interference that may cause undesired operation of the device.

L'émetteur/récepteur exempt de licence contenu dans le présent appareil est conforme aux CNR d'Innovation, Sciences et Développement économique Canada applicables aux appareils radio exempts de licence. L'exploitation est autorisée aux deux conditions suivantes :

- (1) L'appareil ne doit pas produire de brouillage;
- (2) L'appareil doit accepter tout brouillage radioélectrique subi, même si le brouillage est susceptible d'en compromettre le fonctionnement.

The device for operation in the band 5150–5250 MHz is only for indoor use to

reduce the potential for harmful interference to co-channel mobile satellite systems;

le dispositif utilisé dans la bande 5150-5250 MHz est réservé à une utilisation en intérieur afin de réduire le risque de brouillage préjudiciable aux systèmes mobiles par satellite dans le même canal;

IC SAR statement

This equipment complies with ISED radiation exposure limits set forth for an uncontrolled environment. End user must follow the specific operating instructions for satisfying RF exposure compliance. This transmitter must not be co-located or operating in conjunction with any other antenna or transmitter.

The portable device is designed to meet the requirements for exposure to radio waves established by the ISED. These requirements set a SAR limit of 1.6 W/kg averaged over one gram of tissue. The highest SAR value reported under this standard during product certification for use when properly worn on the body.

Cet équipement est conforme aux limites d'exposition aux rayonnements ISED établies pour un environnement non contrôlé. L'utilisateur final doit suivre les instructions spécifiques pour satisfaire les normes. Cet émetteur ne doit pas être co-implanté ou fonctionner en conjonction avec toute autre antenne ou transmetteur.

Le dispositif portatif est conçu pour répondre aux exigences d'exposition aux ondes radio établie par le développement énergétique DURABLE. Ces exigences un SAR limite de 1,6 W/kg en moyenne pour un gramme de tissu. La valeur SAR la plus élevée signalée en vertu de cette norme lors de la certification de produit à utiliser lorsqu'il est correctement porté sur le corps.



Trademark notice:

"microSD logo is a trademark of SD-3C LLC."

The Bluetooth® word mark and logos are registered trademarks owned by Bluetooth SIG, Inc. and any use of such marks by PAX Technology, Inc. is under license. Other trademarks and trade names are those of their respective owners.

PAX Technology Inc reserves the right to change product technology specifications without notification.